

Knobs with integral indicator

gravity drive, technopolymer

DIAMOND CUT KNURLED KNOB

Glass-fibre reinforced polyamide based (PA) technopolymer, black colour, matte finish.
Moulded-in spindle.

BEZEL

Technopolymer. Moulded over the window.

WINDOW

Transparent polyamide based (PA-T) technopolymer (practically unbreakable).
Resistant to solvents, oils, greases and other chemical agents (avoid contact with alcohol during cleaning operations).

DIAL

Natural matte anodised aluminium.
Clockwise (D) or anti-clockwise (S) graduation, black colour.

STANDARD EXECUTION

Black-oxide steel boss, H7 reamed blind hole, fitting to shaft by means of a supplied grub screw with hexagon socket and cup end UNI 5929-85.

READING

The black pointer indicates the number of turns of the spindle from the start position (0); the red pointer indicates the fractions of turn. Ballrace rotation: maximum reading accuracy.

RATIO

To choose the ratio see "Gravity position indicators introduction" (on page 690).

IP PROTECTION

The ultrasonic welding of the window to the case guarantees the complete sealing with IP 67 protection class, see IEC 529 table (on page A23).

FEATURES AND APPLICATIONS

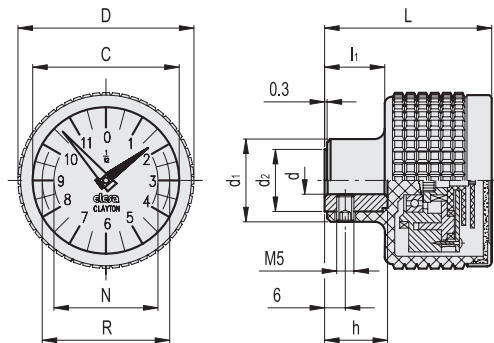
The knobs with integral gravity position indicator are suitable on spindles with horizontal or max 60° inclined axis.

SPECIAL EXECUTIONS ON REQUEST

- special dial with logo or customized graduations
- special ratios
- Filling with paraffin oil, maximum continuous working temperature 40°C
- liquid filled
- single pointer.



ELESA Original design



Series	D	L	d1	d2	l1	dH7	h	C	R	N	Δ
MBT.50-GA11	51	48	24	18	16.5	8	17	42	37	30	120
MBT.70-GA12	70	52	28	22	19	10	22	60	51	44	200

Example of description for ordering

MBT.50-GA11 - 0002 - D

Series		Ratio				Graduation	
Ratio	Description	Ratio	Description	Ratio	Description	Ratio	Description
2	0002	12	0012	36	0036	100	0100
4	0004	15	0015	40	0040	120	0120
5	0005	16	0016	48	0048	150 *	0150
6	0006	20	0020	50	0050	200 *	0200
8	0008	24	0024	60	0060		
10	0010	30	0030	72	0072		

clockwise **D** anti-clockwise **S**

* Available only for MBT.70-GA12

Rotary controls